

TECHNICAL DATA SHEET



PEDESTAL

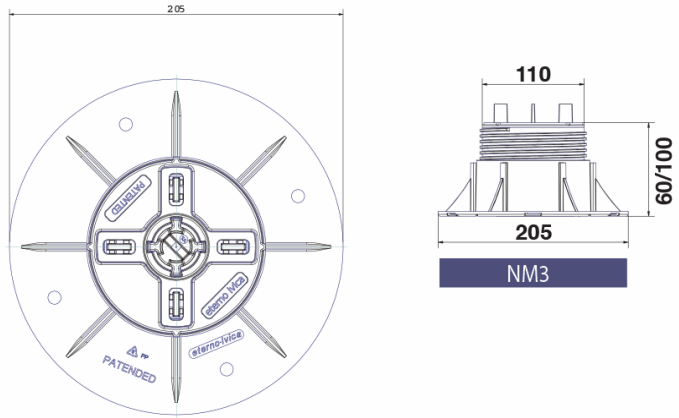
NM 3

CODE
E014060100

REV 00
27.06.2013



ADJUSTABLE PAVING SUPPORT NEW MAXI



ITEM SPECIFICATION

"New Maxi" type pedestal for raised floors with adjustable height from 60mm to 100mm, provided of bi-component head with anti noise and anti slip rubber on top. Pedestals are composed by a cylindrical base element of 205 mm diameter for resting on the laying surface, an intermediate screw with a locking security system, and a top head element with 4 easy removable tabs of h.12mm in 2, 3 or 4 mm thickness. Base is provided of holes for water drainage and of 4 precut lines to facilitate any cutting of the base in case of need. Adjustment in highness is made with the exclusive regulation key that connects with the screw, as it is independent from both base and head.

PRODUCT RANGE

PEDESTAL

PRODUCT NAME

NM 3

CHARACTERISTICS

Adjustable in highness. Bicomponent material (PP and rubber) self leveling head.

Regulation key for highness adjustment

Easy removable tabs

Security lock system to prevent unlocking.

RAW MATERIAL

Polypropylene and rubber (head top finishing)

ENVIRONMENTAL IMPACT

recyclable material - non dangerous

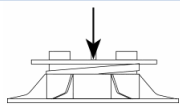
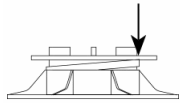
APPLICATIONS SURFACES

On any waterproofing membrane, or any insulating panel or any compact and solid surface

APPLICATIONS AREA

Usable with any prefabricated self sustaining element for exterior flooring

CHARACTERISTICS	UNIT	VALUE	TOLERANCE
BASE DIAMETER	mm	205	+/- mm 1,0
BASE THICKNESS	mm	2	+/- mm 0,2
HEAD DIAMETER	mm	110	+/- mm 0,8
LAYING SURFACE OF THE BASE	cmq	330	+/- cmq 5
MINIMUM HEIGHNESS	mm	60	+/- mm 1,0
MAXIMUM HEIGHNESS	mm	100	+/- mm 1,5
TABS THICKNESS	mm	2-3-4	+/- mm 0,2
TABS HIGHNESS	mm	12	+/- mm 0,2
WEIGHT	kg	0,345	+/- 5 %

TECHNICAL PROPERTIES		UNIT	VALUE
CENTRAL COMPRESSION LOADING LIMIT RESISTANCE* <small>(calculated at medium highness, between minimum and maximum extension)</small>		KN	46,53
ECCENTRIC COMPRESSION LOADING LIMIT RESISTANCE* <small>(calculated at medium highness, between minimum and maximum extension)</small>		KN	26,07
SLOPE CORRECTION		%	0 - 5
SHORE		Shore d	70 (+/- 3)

*Tests made by Civil and Environmental Department of University of Padova. 1 KN = 98,6 Kg

PHYSICAL PROPERTIES	METHOD	UNIT	VALUE
FIRE REACTION*	UNI EN 13501-1:2009	class	E
LOW TEMPERATURES REACTION			-40°

*Tests made by Giordano S.p.A. Institute of Bellaria-Iaeca Marina (RN)-Italy

PACKAGING AND STORAGE			
PIECES PER BOX		25	
PIECES PER PALLET		30	
BOX DIMENSION		cm 40x40x42	
BOX WEIGHT		kg 9,4	
PALLET DIMENSION		cm 80 x 120	

The packing of the supports is made of boxes. The final pallets are wrapped with a polyethylene film. We recommend to store indoor, pallets to be protected from the rain.

LAYING OF THE PRODUCT	
	The product is simply laid on the laying area, with no need of any glue or fixing

The above data are relevant to current production and may be changed or updated by Eterno Ivica at any time without notice.

Given the many possible uses and the possible interference of external elements, we do not assume responsibility for the results. The buyer is required to establish under their own responsibility the suitability of the product for the intended use. This document is property of Eterno Ivica. All rights reserved.



Eterno Ivica srl - Via Austria 25/E - Z.I.Sud 35127 Padova - Italy
T Exp. +39 049 8530102, T +39 049 8530101, F +39 049 8530111
eternoivica@eternoivica.com - www.eternoivica.com

