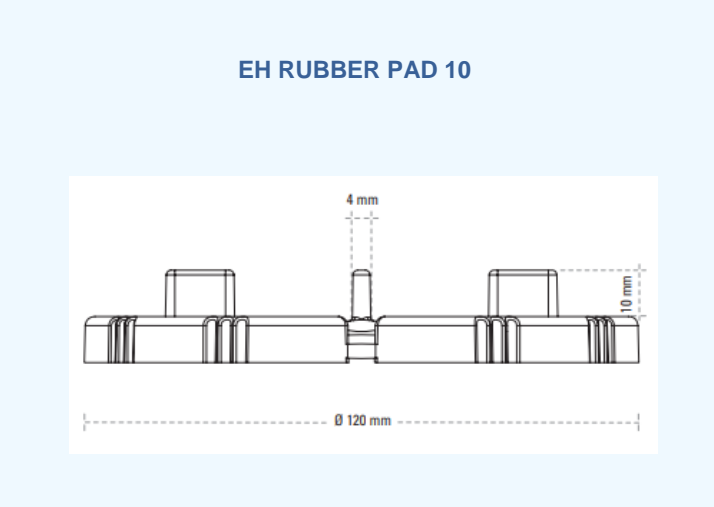


TECHINCAL DATASHEET



EH RUBBER PAD
 PRODUCT CODE
E00001000*
 REV 00
 16/04/2018



ITEM SPECIFICATION	
	<p>Supply and installation of "EH RUBBER PAD" raised floor supports. EH RUBBER 10 is a recyclable SBS rubber support, diameter of mm. 120 and with a height of 10, in the upper part there are n.4 spacer fins h 10 mm thick 4/3/2 mm. It's can be used separately or overlapped with the EH RUBBER 6, until the desired height is reached. High property in noise reduction.</p>

PRODUCT RANGE	PEDESTAL
PRODUCT NAME	EH RUBBER PAD 10
CHARACTERISTICS	Height of 10mm Height to pack using both components is 16mm; N °. 4 removable spacers, height 10mm, thickness 4/3 / 2mm
PAW MATERIAL	SBS
ENVIROMENTAL IMPACT	Recyclable material – non dangerous
APPLICATION SURFACE	On any waterproofing membrane surface, or any insulating panel or any compact and solid surface.
APPLICATION AREA	With any self-supporting prefabricated element for outdoor flooring, with a minimum thickness of 15 mm

CHARACTERISTICS	UNIT	VALUE	TOLLERANCE
BASE DIAMETER	mm	120	+/- mm 1,0
BASE THICKNESS	mm	10	+/- mm 0,2
MINIMUM HEIGHT	mm	10	+/- mm 1,0
TABS THICKNESS	mm	4/3/2	+/- mm 0,2
TABS HEIGHT	mm	10	+/- mm 0,2
WEIGHT	kg	0.062	+/- 5 %

TECHNICAL PROPERTIES		Applied force	8000N	10000N	14000N
RELATIONSHIP BETWEEN FORCE AND CRUSHING		EH RUBBER 10	1.7 mm	2.2 mm	3 mm
		EH RUBBER 10+6	2.9 mm	4.6 mm	6 mm
TECHNICAL PROPERTIES OF MATERIALS			UNIT	VALUE	
SHORE			Shore d	70 (+/- 3)	
* Tests carried internally = 98.6 Kg					
PACKAGING AND STORAGE					
PIECES PER BOX		150			
PIECES PER PALLET		//			
BOX DIMENSION		Cm 39,5x39,5x19			
BOX WEIGHT		Kg 9.3			
PALLET DIMENSION		cm 80 x 120			
LAYING OF PRODUCT					
		The product is simply laid on the laying area, with no need of any glue or fixing			

The above data are relevant to current production and may be changed or updated by Eterno Ivica at any time without notice.

Given the many possible uses and the possible interference of external elements, we do not assume responsibility for the results. The buyer is required to establish under their own responsibility the suitability of the product for the intended use. This document is property of Eterno Ivica. All rights reserved.



Eterno Ivica srl - Via Austria 25/E - Z.I.Sud 35127 Padova - Italy
 T Exp. +39 049 8530102, T +39 049 8530101, F +39 049 8530111
 eternoivica@eternoivica.com - www.eternoivica.com

