



UNIVERSA  
UNIVERSIS  
PATAVINA  
LIBERTAS

# UNIVERSITÀ DEGLI STUDI DI PADOVA

DIPARTIMENTO DI INGEGNERIA CIVILE, EDILE E AMBIENTALE  
*Laboratorio Sperimentale per le Prove sui Materiali da Costruzione*  
DEPARTMENT OF CIVIL, ENVIRONMENTAL AND ARCHITECTURAL ENGINEERING  
*Building materials testing Laboratory*

Sede: via Marzolo n. 11/A - 35131 PADOVA  
Segreteria: +39.049.827.5607

Fax: +39.049.827.5587  
e-mail: lab.materiali@dicea.unipd.it

## TEST REPORT N. 34732

Page 1/2

Applicant: Eterno Ivica S.r.l., via Austria Z.I. n. 25/E - Padova  
Application: Received at 29/06/2012  
Material: 9 samples of pedestal "ETERNO SE3" series, received at 29/06/2012  
Required test: Measure the maximum compressive load of the specimen and the displacement of the testing machine's crossbar.  
Testing method: The compression tests were made for all the 9 samples. The components of the pedestal had been assembled and the four tabs removed, the height of pedestal was regulated to the maximum (120 mm), medium (97.5 mm) e minimum (75 mm) stroke of the screw.  
Testing speed set to 10 mm/min (checking movement of moving crossbar of the universal testing machine Galdabini, type Sun/60, with a load capacity of 600 kN).  
The load applied with two hardened steel plate at the centred on the pedestal.  
The values of maximum load ( $F_{max}$ ) are the values of load at first failure/rupture or at the displacement of 6 mm.  
The testing machine's certificate of calibration is n°036-12F about Calibration centre LAT n° 34 with due data January 19<sup>th</sup>, 2013.  
Test activities were carried out on September 20th, 2012.  
For any technical and dimensional detail, assembling scheme and any other information not included in this document, brochures and technical data sheets are at Applicant's disposal.

### Test Result

Specimen	Max Load $F_{max}$ [kN]	Stroke at $F_{max}$ [mm]
H <sub>max_1</sub>	12.03	3.8
H <sub>max_2</sub>	11.44	4.5
H <sub>max_3</sub>	12.30	3.6
H <sub>med_1</sub>	20.85	6.2
H <sub>med_2</sub>	19.83	5.9
H <sub>med_3</sub>	17.99	6.1
H <sub>min_1</sub>	45.16	6.0
H <sub>min_2</sub>	42.03	6.0
H <sub>min_3</sub>	42.33	6.0

Padova, November 28<sup>th</sup>, 2012

Laboratory Chief  
(Prof. **Claudio Modena**)

Department Chief  
(Prof. **Carmelo Majorana**)



UNIVERSA  
UNIVERSIS  
PATAVINA  
LIBERTAS

# UNIVERSITÀ DEGLI STUDI DI PADOVA

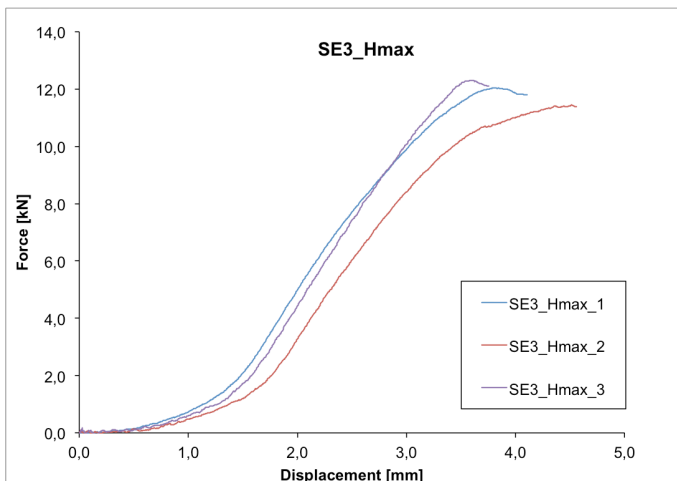
DIPARTIMENTO DI INGEGNERIA CIVILE, EDILE E AMBIENTALE  
*Laboratorio Sperimentale per le Prove sui Materiali da Costruzione*  
DEPARTMENT OF CIVIL, ENVIRONMENTAL AND ARCHITECTURAL ENGINEERING  
*Building materials testing Laboratory*

Sede: via Marzolo n. 11/A - 35131 PADOVA  
Segreteria: +39.049.827.5607

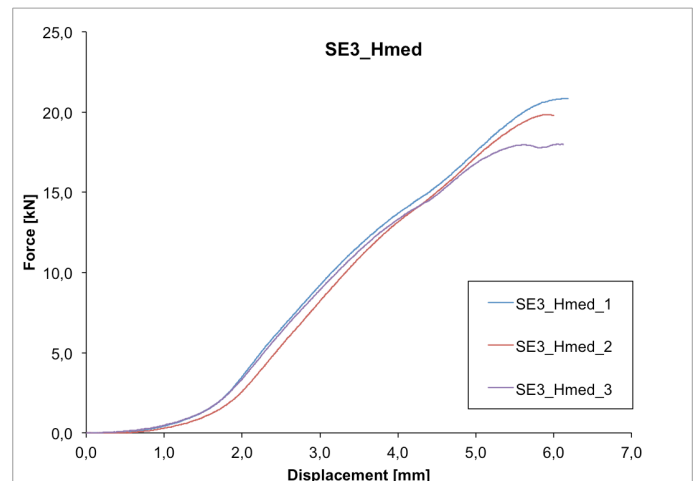
Fax: +39.049.827.5587  
e-mail: lab.materiali@dicea.unipd.it

TEST REPORT N. 34732

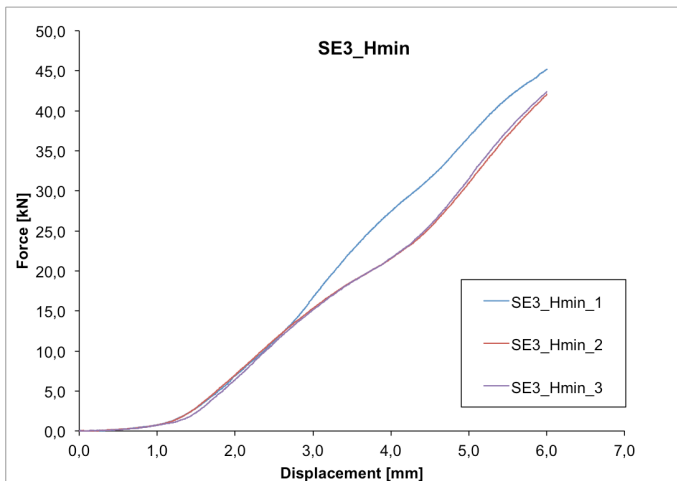
Page 2/2



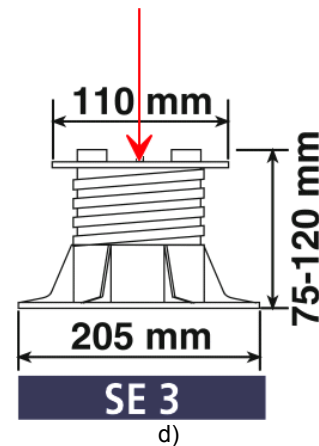
a)



b)



c)



d)

Figure 1 Diagram force versus displacement of testing machine's crossbar for Hmax (a), Hmed (b), Hmin (c) and typical "Eterno SE3" specimen (d).

The annex A (Report n. 35342) contains explanation about specimens, test machine and definition of maximum load adopted.

Padova, November 28<sup>th</sup>, 2012

Laboratory Chief  
(Prof. **Claudio Modena**)

Department Chief  
(Prof. **Carmelo Majorana**)

The results refer to the samples tested. This report cannot be reproduced without explicit authorization from the Building materials testing Laboratory and it isn't a product certification.